

Date \_\_\_\_\_  
 AVFI Sales REP \_\_\_\_\_  
 Customer Signature \_\_\_\_\_

Quote No. \_\_\_\_\_  
 Customer No. \_\_\_\_\_  
 AVFI No. \_\_\_\_\_

Office Use Only

To generate your order form, please refer to the information provided below to insert the alphabetic and/or numeric code in the respective category boxes. Please note that without this filled out Order Form, your purchase **cannot** be processed.

| 1             | 2                   | 3   | 4     | 5              |
|---------------|---------------------|---|-------|----------------|
| Product Model | Finish              | Chargeable Accessories (One Code Per Box) | Mount | Custom Cutouts |
| <b>T628T</b>  | Tabletop   Rack Top |   |       |                |

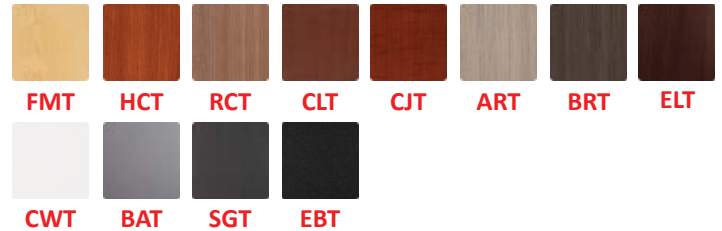
**1** Product Model



Code **T628T**

**2** Choose Product Finish

**Standard Finishes - Tabletop**



Note: The Rack Top standard finish is black (EBT). If another finish is desired, please choose from the above finishes and specify on the 'Finish' section #2.

**3** Chargeable Accessories (Check all that apply)

- Code **00** No Accessories \_\_\_\_\_
  - Code **B1 9031-1** 1U Utility Metal Shelf .....Qty \_\_\_\_\_
  - Code **B2 9031-2** 2U Utility Metal Shelf .....Qty \_\_\_\_\_
  - Code **B3 9031-3** 3U Utility Metal Shelf .....Qty \_\_\_\_\_
  - Code **B4 9041** Sliding Metal Shelf .....Qty \_\_\_\_\_
  - Code **B5 9052-2** 2U Sliding Metal Drawer .....Qty \_\_\_\_\_
  - Code **B6 9052-3** 3U Sliding Metal Drawer .....Qty \_\_\_\_\_
  - \* Code **D6 GRC60B** Black 60mm Round Grommet .....Qty \_\_\_\_\_
  - \* Code **D7 GRC60W** White 60mm Round Grommet .....Qty \_\_\_\_\_
  - \* Code **D8 GRC60G** Grey 60mm Round Grommet .....Qty \_\_\_\_\_
  - Code **E1 PB 6** Outlet Power Bar .....Qty \_\_\_\_\_
  - \* Code **E3 CUB3** Round Cable Well .....Qty \_\_\_\_\_
  - \* Code **E4 SF-PB3** 3 Outlet Power Bar .....Qty \_\_\_\_\_
  - \* Code **E5 CUB5** Black Round Cable Well .....Qty \_\_\_\_\_
  - \* Code **E6 CUB5** Silver Round Cable Well .....Qty \_\_\_\_\_
  - \* Code **E7 PC-PATCH** Power Panel Additional (2 included).....Qty \_\_\_\_\_
  - \* Code **E8 CUB8** Table Top Cable Well .....Qty \_\_\_\_\_
  - \* Code **EA CUB4S** Silver Power Panel .....Qty \_\_\_\_\_
  - \* Code **EB CUB4B** Black Power Panel .....Qty \_\_\_\_\_
  - \* Code **EC CHGQIW** Wireless Charging Station White .....Qty \_\_\_\_\_
  - \* Code **EF CHGQIB** Wireless Charging Station Black .....Qty \_\_\_\_\_
  - \* Code **ED CHGQI-DNGL** Dongle Lightning .....Qty \_\_\_\_\_
  - Code **J5 DIR9200-12** 12U Rack Module .....Qty \_\_\_\_\_
  - Code **K3 PLM1022** Monitor Mount .....Qty \_\_\_\_\_
  - Code **M4 CBB-TV** Camera Bracket .....Qty \_\_\_\_\_
  - Code **M9 CS** Camera/Codec Bracket .....Qty \_\_\_\_\_
  - 628 Extension** Adds room for +4 people .....Qty \_\_\_\_\_
- Note: If custom cutouts are required for the table extension, please include the 628 Extension order form with this order form.*

\* **Cutout Required** (Extra Charges will apply)  
 \*\* Requires **CHGQIW/B** accessory

**4** Choose Mount (Single, Dual or XL)

- Code **L1** Single Kit Mount (1x 40"-80" Monitors/160 lbs max)
- Code **L2** Dual Kit Mount (2x 32"-70" Monitors/160 lbs total max)
- Code **L3** XL Kit Mount (1x 50"-90" Monitors/160 lbs max)

**Comments** (Please use this section to provide additional information)

---

---

---

---

---

---

---

---

**Notes**

**CAD Drawings/Symbols**  
 CAD drawings are available by request at sales@vegroun.net

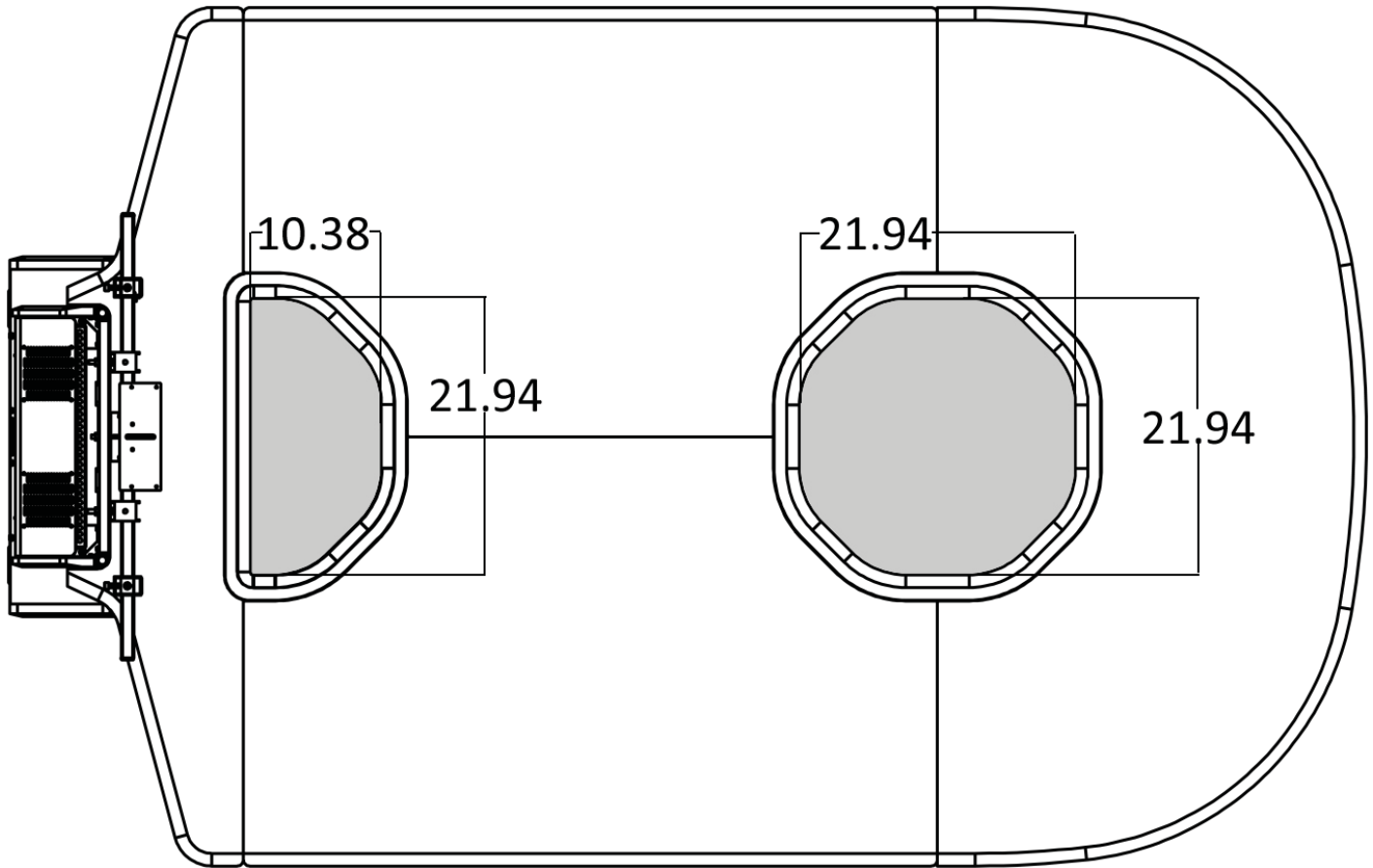
**Custom Cutouts**  
 Estimated lead time within 20 business days from receipt of P.O. and signed drawings.

**Customizations**  
 Modifications to design such as shape and/or size variations have to be quoted on a per case basis and are applicable for quantities of 10+ only.

**Custom Cutout Option on Page 2**

Please indicate custom cutout location on the drawing(s) below

**5** Custom Cutout Option (Extra charges will apply)



Code **CO** No Custom Cutout

Code **CC** Custom Cutout (Specify on Cutout Area Above)

■ Cutout Area