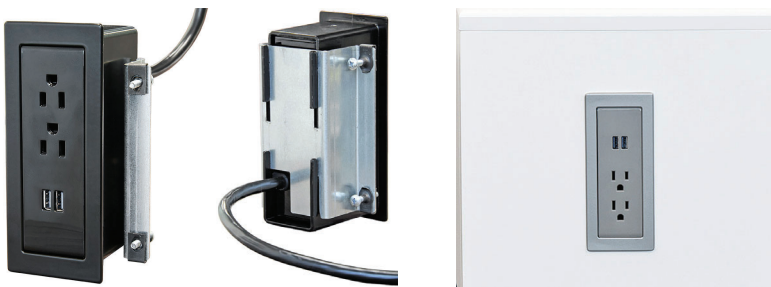




Used with podiums, lecterns, and conference room tables, the sleek and stylish **CUB4** power panel offers quick and convenient table top access to power and cable connections for laptops, projectors, media players and other electronic peripherals. US and Canada electrical certifications. Each USB port charges your devices in half the time of similar products. USB charging is UL 1310 recognized, Class 2, FCC Part 15A approved, as well as, meets UL spill requirements and USB.org Battery Charging 1.2 specifications. The flexibility offered by the **CUB4** bezel's complementing frame allows the power unit to be mounted on a vertical or horizontal surface.

Standard Features

- 2x inline outlets 110V 15A accept standard power cords
- 2x USB charging ports 2.1 Amp.
- US and Canada electrical certifications
- 6 ft. power cord
- Black and silver colors available

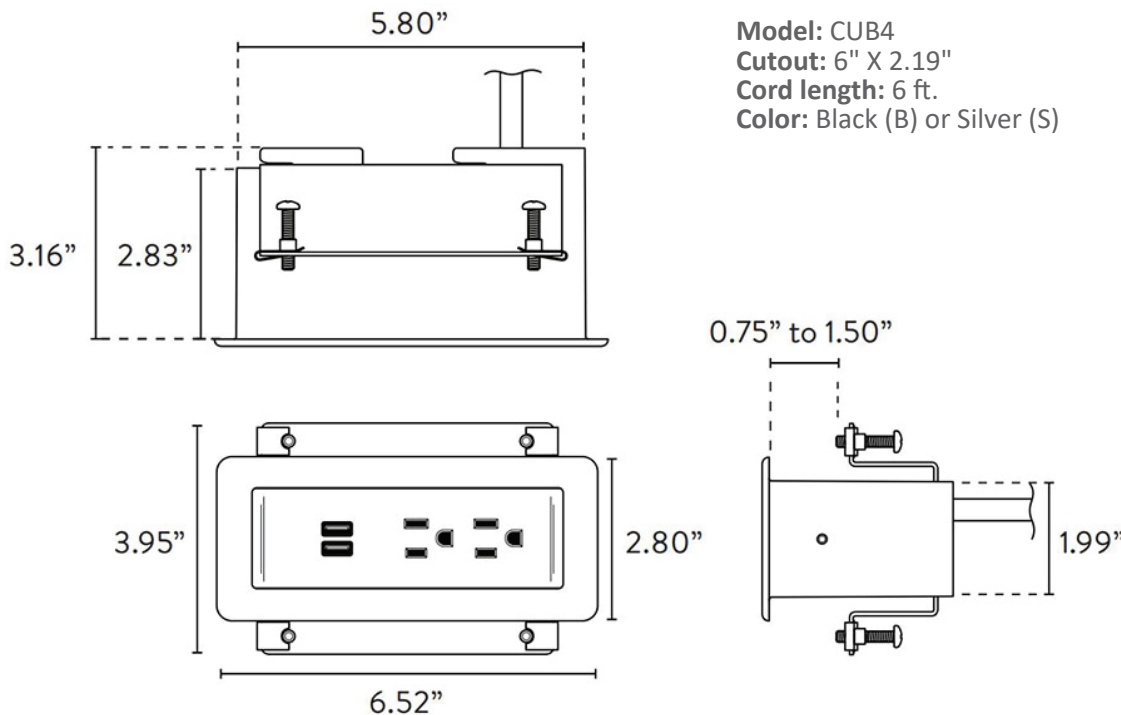


Options

- **Color** Black (CUB4B) or Silver (CUB4S)
- **CUTTING-CHARGE** Factory cut, panel mount cut-out, added to our podiums, lecterns and tables. (Specify desired cut-out location when ordering)

Specifications

Model: CUB4
Cutout: 6" X 2.19"
Cord length: 6 ft.
Color: Black (B) or Silver (S)



The information contained in this drawing is the sole property of Audio Visual Furniture International. Any reproduction in part or as a whole without the written permission of Audio Visual Furniture International is prohibited. We can build or modify stock configurations to suit customer specifications. Please contact us to discuss how this service can help meet your needs. Some quantity restrictions may apply. Specification subject to change without notice. Computers, cameras, monitors, etc. are shown to illustrate product usage and are not included unless otherwise noted.