

Shown with optional desktop rack

The **CM4070** mount for confidence monitors was designed to hide messy wiring and electronics inside. This mount accommodates 40" to 70" displays (220 lbs max) and adjusts 30 degrees. Inside you'll find room for stacked or desktop rack mounted electronics with ventilation out the top. Max mount hole location is 850mm wide X 440mm high.

Standard Features

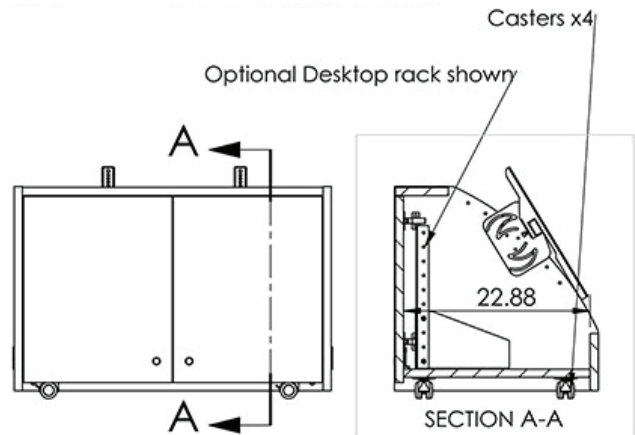
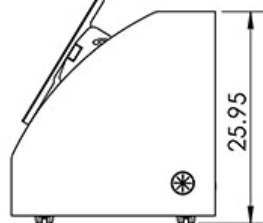
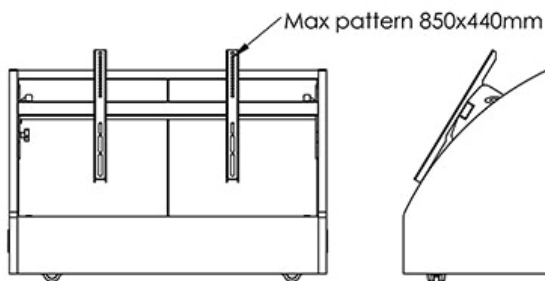
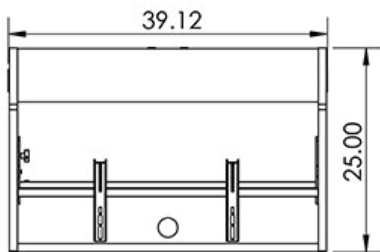
- Accommodates 40" - 70" monitors (220 lbs max)
- Base hides wiring and electronics
- 30 degrees of fine tilt adjustment and height adjustable for larger monitors
- Quick adjustment knobs
- Locking dual rear doors
- Rolls on casters with non-marking wheels, 2 rear are locking
- Can accommodate desktop rack inside (36.88" W X 22.5" D X 21.25" H)
- Adjustable TV bracket for up to 850 X 440mm pattern
- 3 cable grommets (2 sides and 1 bottom rear)

Options

- **PB** Six outlet power bar with 10 ft. cord
- **CUB3** Round cable well
- **9160-10** Desktop rack 10U rail kit (10-32 screws)

Specifications

Model: CM4070
Width: 39"
Depth: 25"
Height: 26"
Finish: Storm Grey-STL



The information contained in this drawing is the sole property of Audio Visual Furniture International. Any reproduction in part or as a whole without the written permission of Audio Visual Furniture International is prohibited. We can build or modify stock configurations to suit customer specifications. Please contact us to discuss how this service can help meet your needs. Some quantity restrictions may apply. Specification subject to change without notice. Computers, cameras, monitors, etc. are shown to illustrate product usage and are not included unless otherwise noted.