

Date _____
 AVFI Sales REP _____
 Customer Signature _____

Quote No. _____
 Customer No. _____
 AVFI No. _____

Office Use Only

To generate your order form, please refer to the information provided below to insert the alphabetic and/or numeric code in the respective category boxes. Please note that without this filled out Order Form, your purchase **cannot** be processed.

1	2	3	4
Product Model	Finish	Chargeable Accessories (One Code Per Box)	Custom Cutouts
PD3007			

1 Product Model



Code **PD3007**

2 Choose Product Finish

Standard Finishes (Ships within 1-15 business days)



Code **BCL**
(Burma Cherry)



Code **BWL**
(Brazilian Walnut)



Code **BKL**
(Black)

Optional Finishes (Ships within 20 business days)



MPL



ARL



BRL



CHL



WHL



STL

- ### 3 Chargeable Accessories (Check all that apply)
- Code **00** No Accessories
 - Code **A1** SH-FL Folding Side ShelfQty
 - Code **B1** 9031-1 1U Utility Metal ShelfQty
 - Code **B2** 9031-2 2U Utility Metal ShelfQty
 - Code **B3** 9031-3 3U Utility Metal ShelfQty
 - Code **B5** 9052-2 2U Sliding Metal Drawer.....Qty
 - Code **B6** 9052-3 3U Sliding Metal Drawer.....Qty
 - * Code **D1** MIC-18 MX418 S/C MicrophoneQty
 - * Code **D2** LIGHT-18 Gooseneck LightQty
 - * Code **D3** FM3 Timer/ClockQty
 - Code **D4** FAN Quiet Cooling FanQty
 - Code **E1** PB 6 Outlet Power BarQty
 - * Code **E3** CUB3 Round Cable WellQty
 - * Code **E4** SF-PB3 3 Outlet Power BarQty
 - * Code **E5** CUB5 Black Round Cable WellQty
 - * Code **E6** CUB5 Silver Round Cable WellQty
 - * Code **E7** PC-PATCH Power-Data ModuleQty
 - * Code **E8** CUB8 Table Top Cable WellQty
 - * Code **EA** CUB4S Silver Power PanelQty
 - * Code **EB** CUB4B Black Power PanelQty
 - * Code **EF** CHGQIB Wireless Charging Station Black.....Qty
 - Code **J1** 9107 Lacing Bar.....Qty
 - Code **K1** C900S Single Monitor Arm.....Qty
 - Code **K3** PLM1022 Monitor Mount.....Qty
 - Code **K4** MM1232 Monitor Mount.....Qty
 - Code **M5** MCB1925 Monitor/Camera Bracket.....Qty
 - Code **Q1** LEV4A4X 4x Levelers for Non-Mobile ApplicationsQty
 - * Code **EJ** CUB22 Power Panel.....Qty
 - * Code **EK** CUBM3 3-Module Power & Data Panel.....Qty
 - * Code **EL** CUBM4 4-Module Power & Data Panel.....Qty
 - Code **N7** CHLD245 Metal Swivel Cup Holder.....Qty
 - Code **K2** C900D Dual Monitor Arm.....Qty

Comments (Please use this section to provide additional information)

Notes

CAD Drawings/Symbols
 CAD drawings are available by request at sales@vegroup.net

Custom Cutouts
 Estimated lead time within 20 business days from receipt of P.O. and signed drawings.

Customizations
 Modifications to design such as shape and/or size variations have to be quoted on a per case basis and are applicable for quantities of 10+ only.

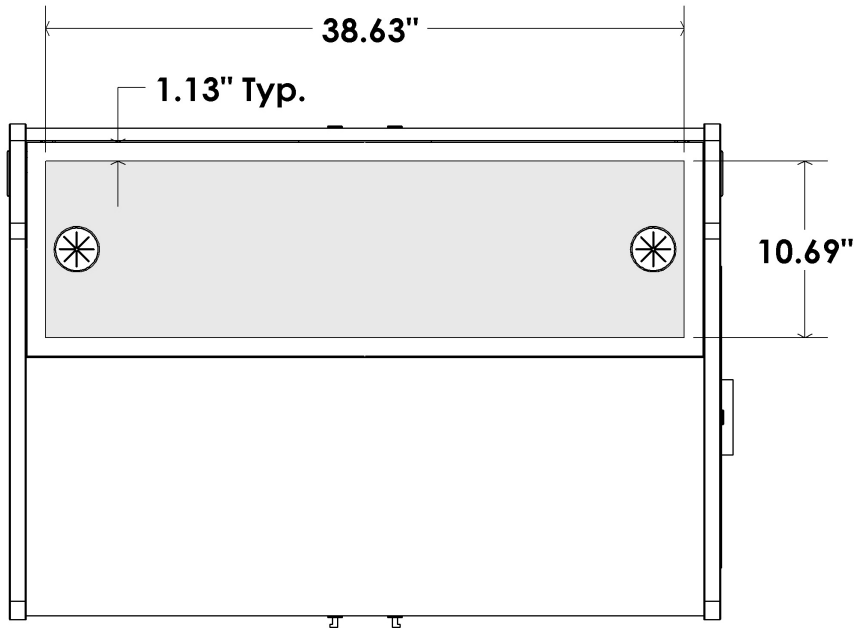
Custom Cutout Option on Page 2

Date _____
AVFI Sales REP _____
Customer Signature _____

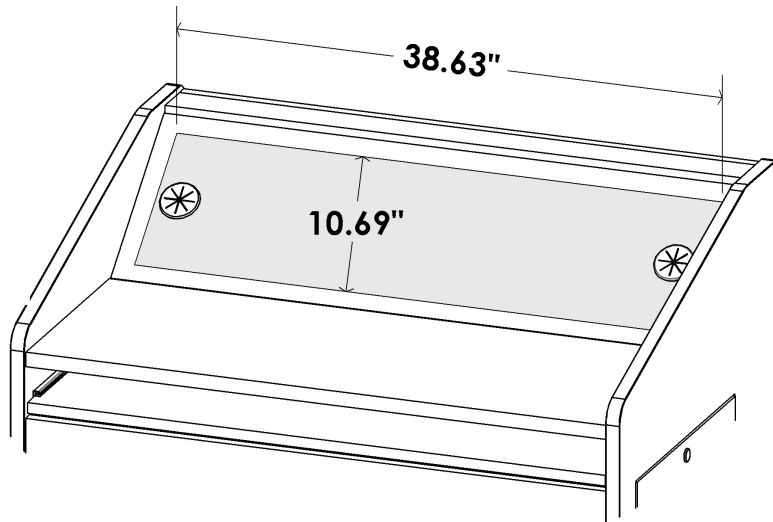
Quote No. _____
Customer No. _____
AVFI No. _____

Office Use Only

Top Rear Removable Panel
cutout in flat position



Same
Top Rear Removable Panel
cutout in a wedge position
(see assembly instructions)



■ Cutout Area - Flat or Wedge Position (38.63"W X 10.69"D)