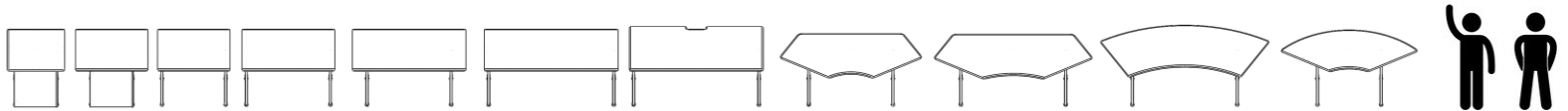
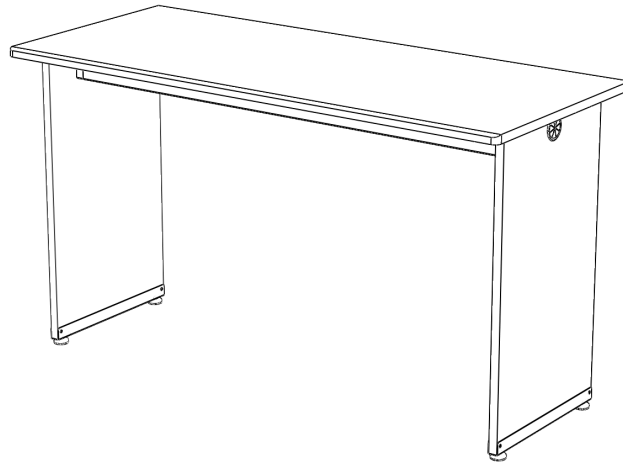


# ModuDesk Modular Table Series

Instructions.



## Sections

### Instructions Summary:

1. Fasteners.
2. Accessories.
3. Assembly.

### Tools you will need:

1. Philips Head Driver – PH2



2. 5mm & 4mm Allen Key

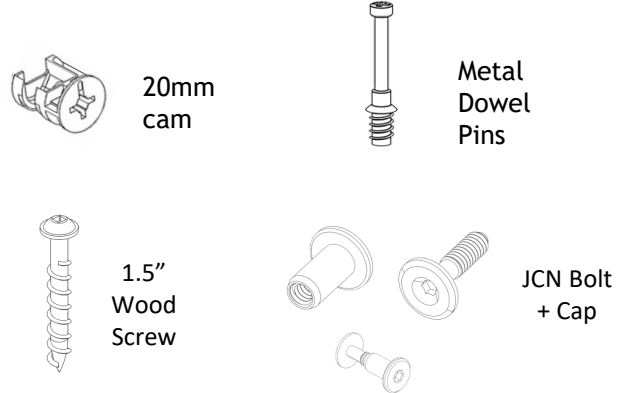


3. Drill (Recommended)



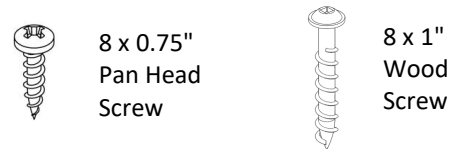
## ModuDesk Modular Table Series

- 1** Fasteners:  
**Standard ModuDesk**  
 X34 Metal Dowel Pins  
 X34 20mm Cams  
 X12 Wooden Dowels  
 X10 8x 1.5" Wood screws  
 X16 8x 0.75" Pan Head Screws (+4 for Mounting Plates)  
 X4 JCN ¼-20x17mm Bolt  
 X4 JCN ¼-20x17mm Cap



- Optional Modesty Panel: ModuP1-4 (only P4 gets extra bracket)**  
 X6 (+3 for extra bracket) 8x 1" Wood Screw  
 X6 (+3 for extra bracket) 8x 0.75" Pan Head

- Optional ModuDesk Rack (29 or 37)**  
 X2 Rack Doors  
 X4 Blum Hinge (Standard)  
 X2 Door Extensions + x4 Blind Corner Hinge (Optional)  
 X4 Rack Rails: 10U (for 29) or 14U (for 37)  
 X2 Door Locks with Keys



- Optional Cable Cover: MOD-CC**  
 X2 Slim Doors  
 X2 Blum Hinge (Standard)

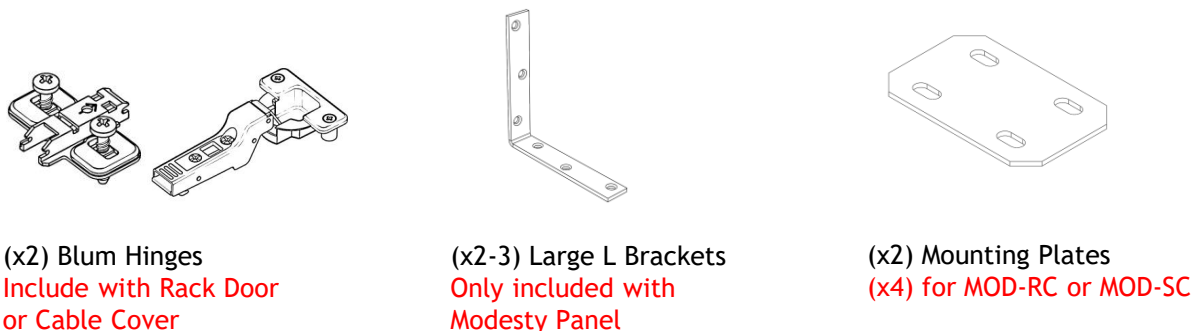
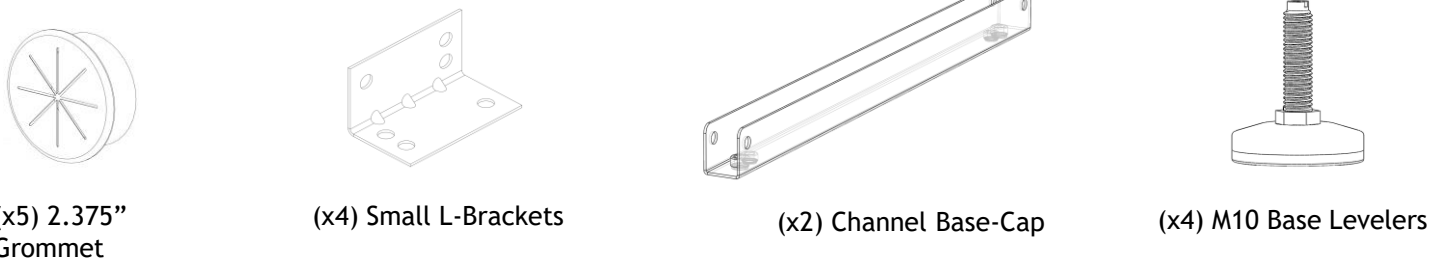
- Optional Round Corner: MOD-RC**  
 X1 Round Corner Panel  
 X16 8x1" Pan head Screw



- Optional Lower Shelf: MOD-LS**  
 X1 Shelf  
 X4 Small L-Brackets  
 X4 8x 0.75" Pan Head Screw

- Optional Square Corner: MOD-SC**  
 X1 Square Corner Panel  
 X16 8x1" Pan head Screw

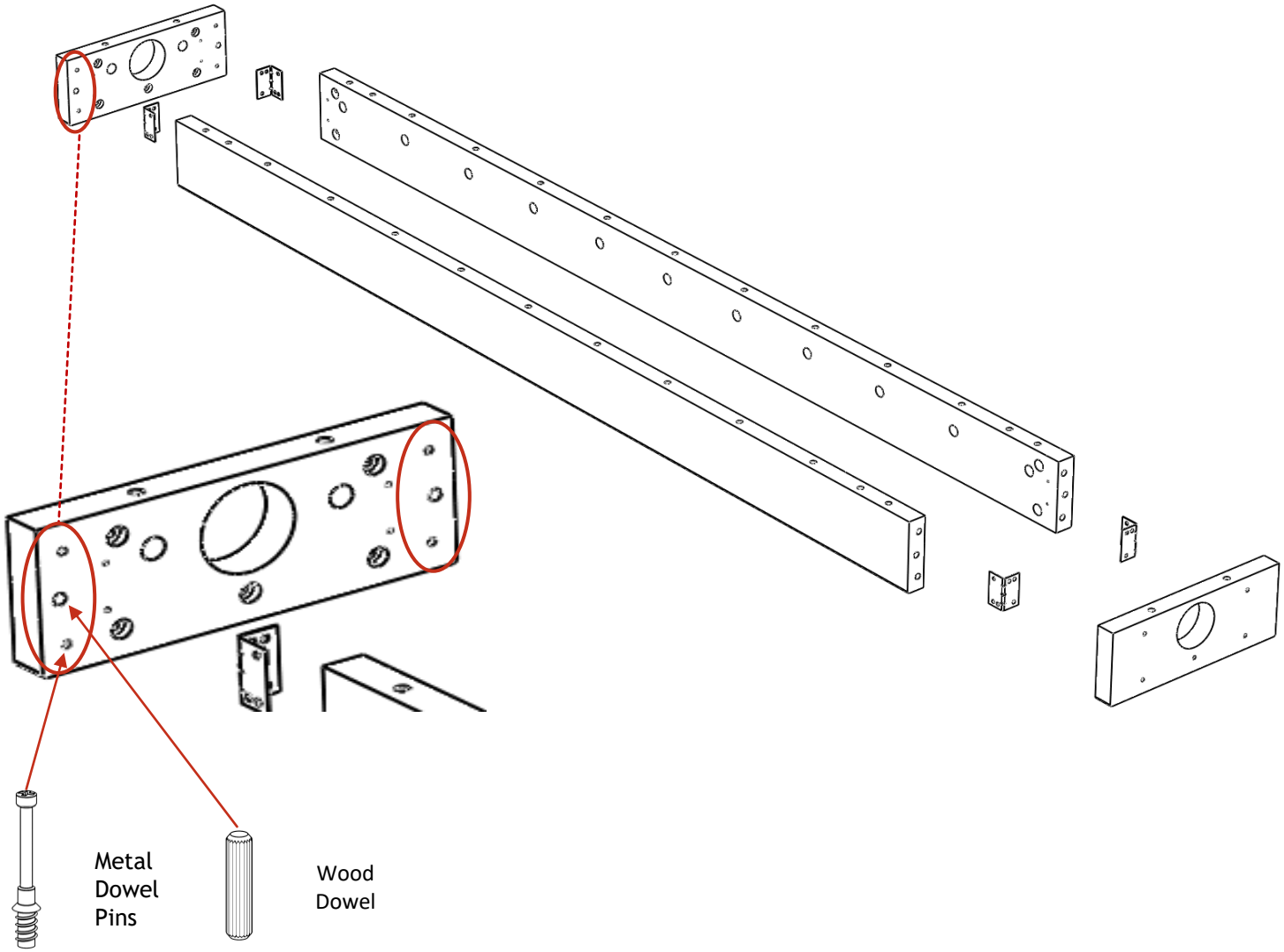
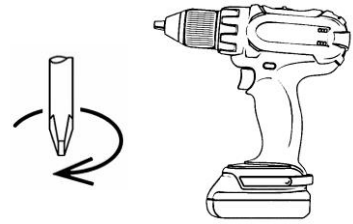
**2** Hardware:



## ModuDesk Modular Table Series

### 3 STEP 1

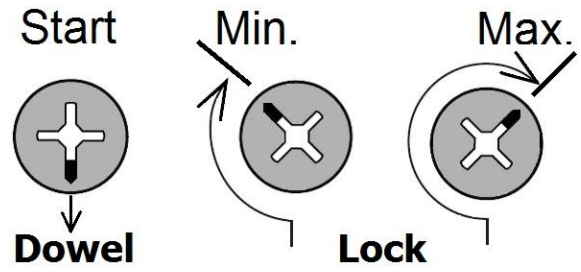
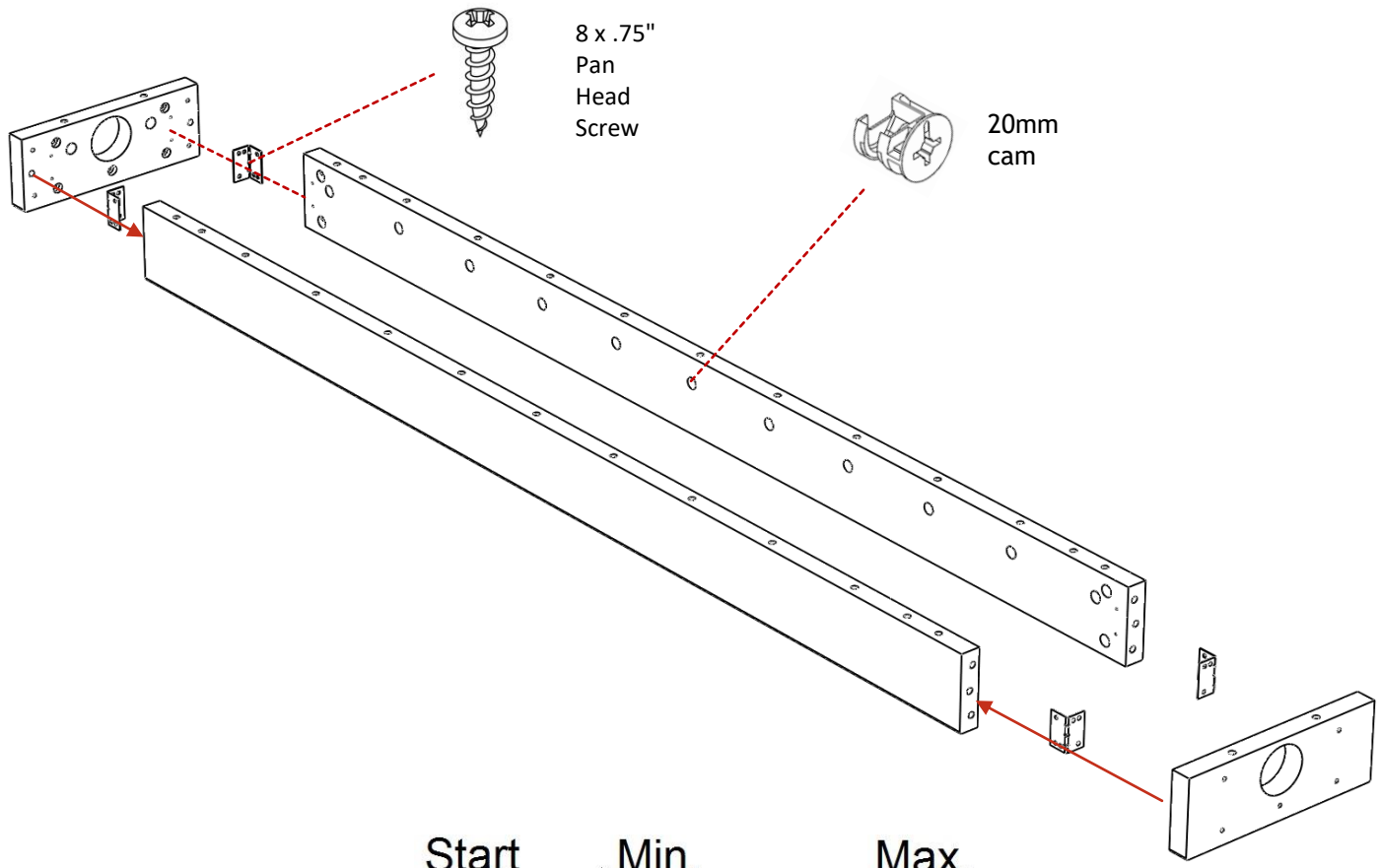
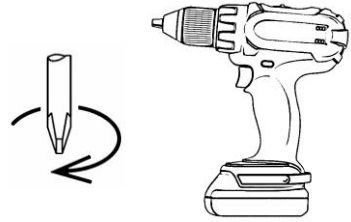
- Use Power Drill to screw in Metal Dowel Pins into small holes.
- Screw Metal Dowels in ALL Holes of the exact same size on ALL panel faces
- Wood Dowel can be pressed or hammered in. Place in all holes of the exact size.



**ModuDesk Modular Table Series**

**3** STEP 2

- Insert 20mm Cam into ALL holes of the same size on ALL panels
- Fasten panels together to create a Frame using Metal Dowel Pins and 20mm Cams
- Use 8x.75" Pan Head Screw to fasten x4 L-Brackets for extra strength

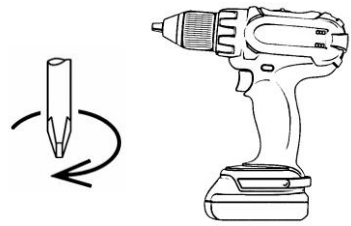


Point Arrow on Cams toward the exit of the hole.  
This will allow for the Dowel pins to insert into them.

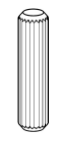
**ModuDesk Modular Table Series**

**3** STEP 3

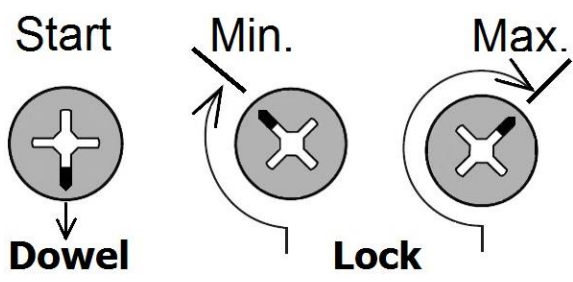
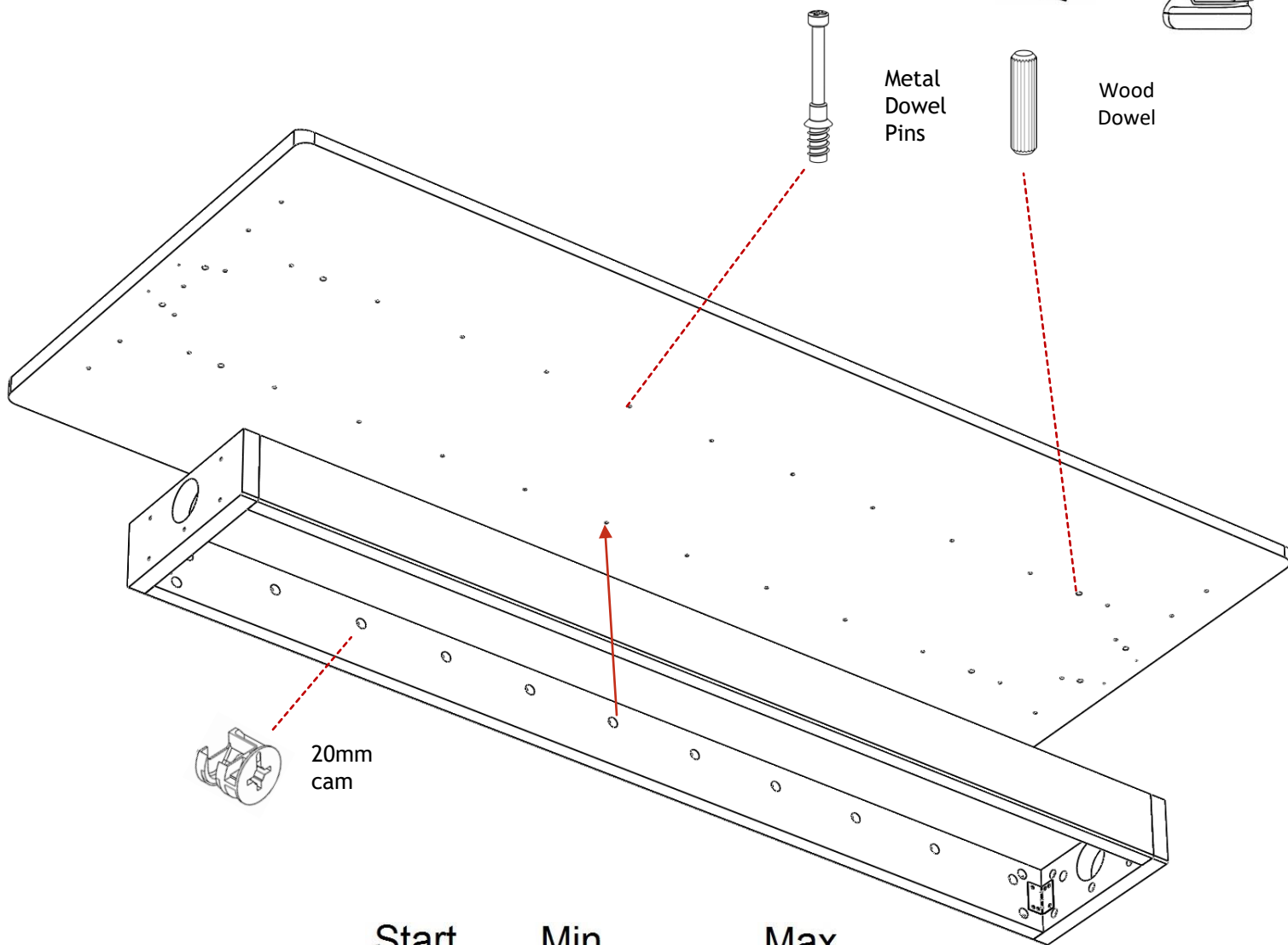
- Use Power Drill to screw in Metal Dowel Pins into small holes.
- Once dowelled, combine Frame with the underside of the Tabletop



Metal Dowel Pins



Wood Dowel



Point Arrow on Cams toward the exit of the hole.  
This will allow for the Dowel pins to insert into them.

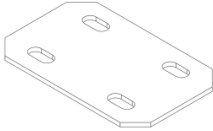
## ModuDesk Modular Table Series

**3**

### STEP 4

- How to connect tables

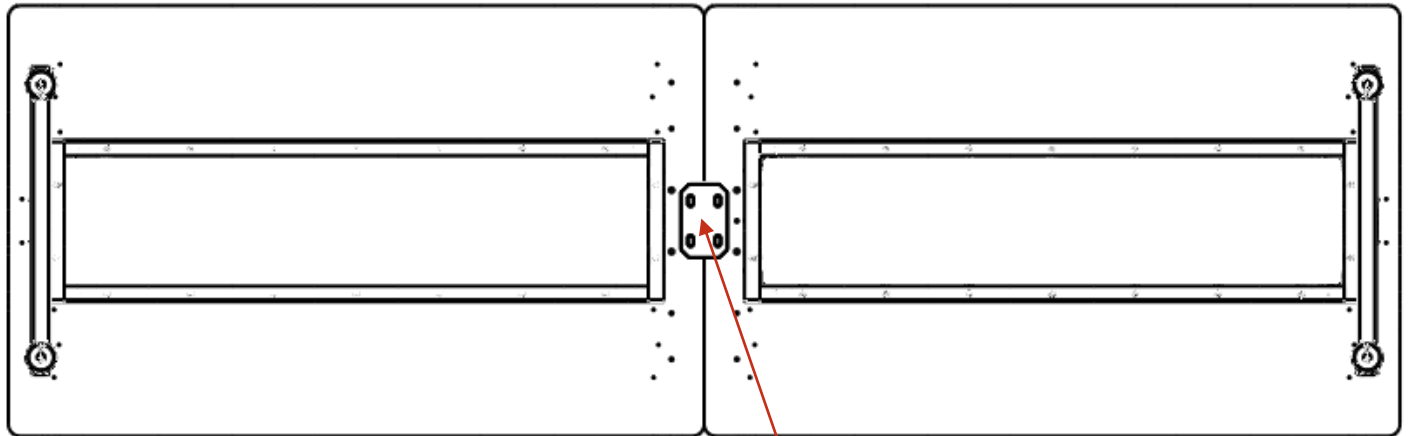
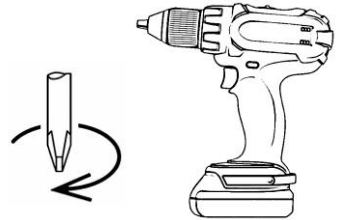
Connect tables using Mount Plates before attaching legs



Mounting Plate



8 x .75" Pan Head Screw



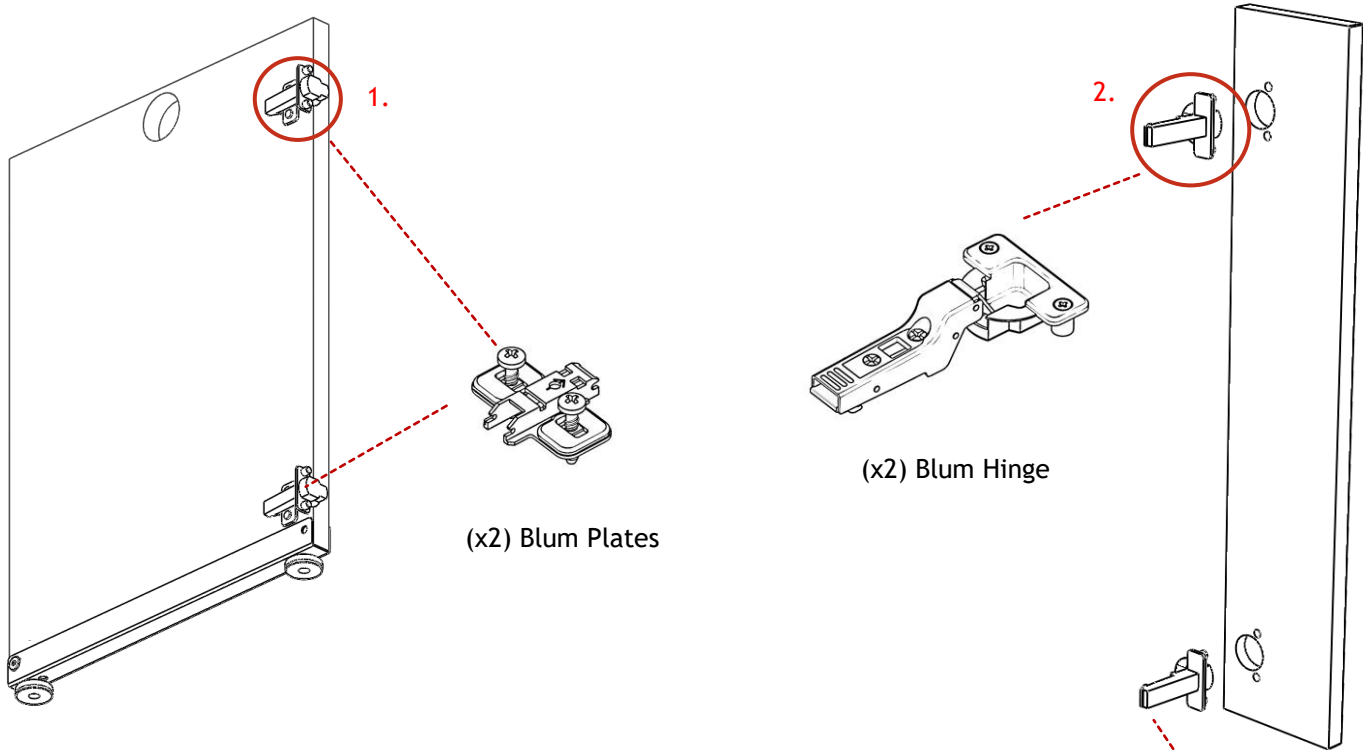
Mounting Plate

**ModuDesk Modular Table Series**

**3** STEP 4

**For MOD-CC (Cable Cover):**

To insert both Hinge and Plates, fasten them into the locations using the screws that arrive with the hinges. Each location should have an inserted plug to screw into.



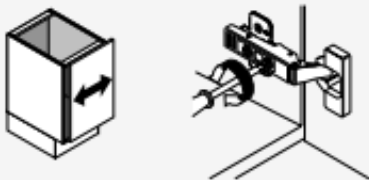
**3. To attach Hinge + Plates, simply clip them together, no special tools required.**

**4.**

**Three-dimensional adjustment**

**Side adjustment**

Turn front screw to increase or decrease door overlay (+/-2mm).



**Height adjustment**

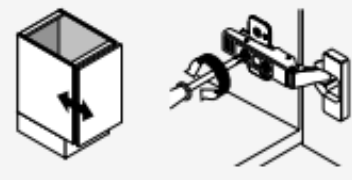
Rotate cam Screw-on mounting plate to adjust door position (+/-2mm).



On non-cam mounting plates, loosen screw, adjust door and retighten screws.

**Depth adjustment**

Turn rear spiral-tech cam screw to adjust door position (+3mm, -2mm).



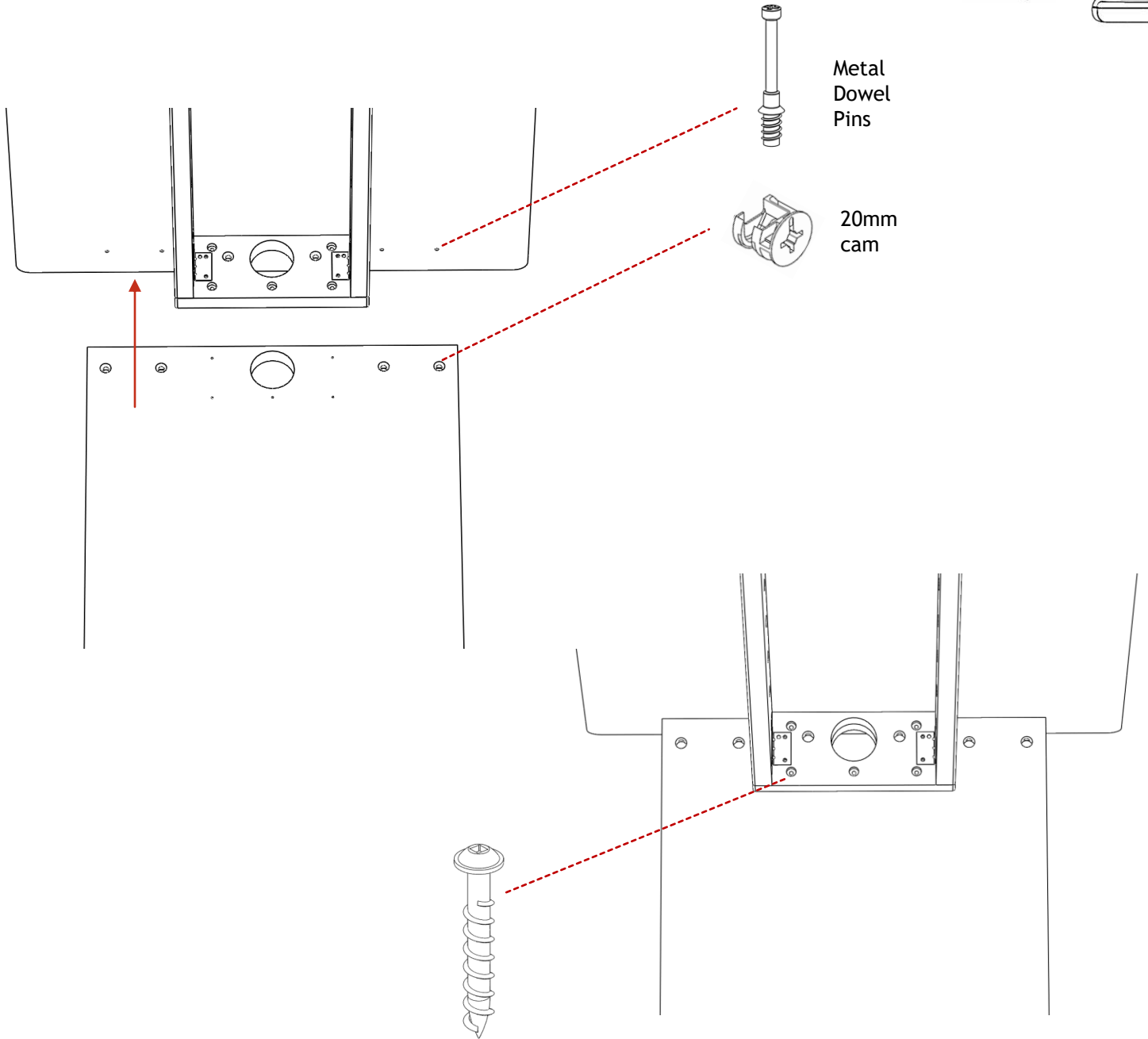
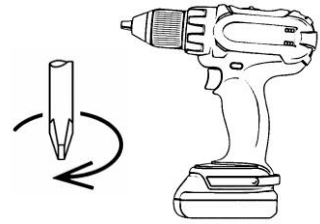
For CLIP, loosen rear screw, adjust and retighten.

### ModuDesk Modular Table Series

**3**

**STEP 4**

- Screw in Dowels, Place Cams, and Combine Panels
- Screw in x5 1.5" Wood Screws per side for extra strength



Metal Dowel Pins

20mm cam

1.5" Wood Screw

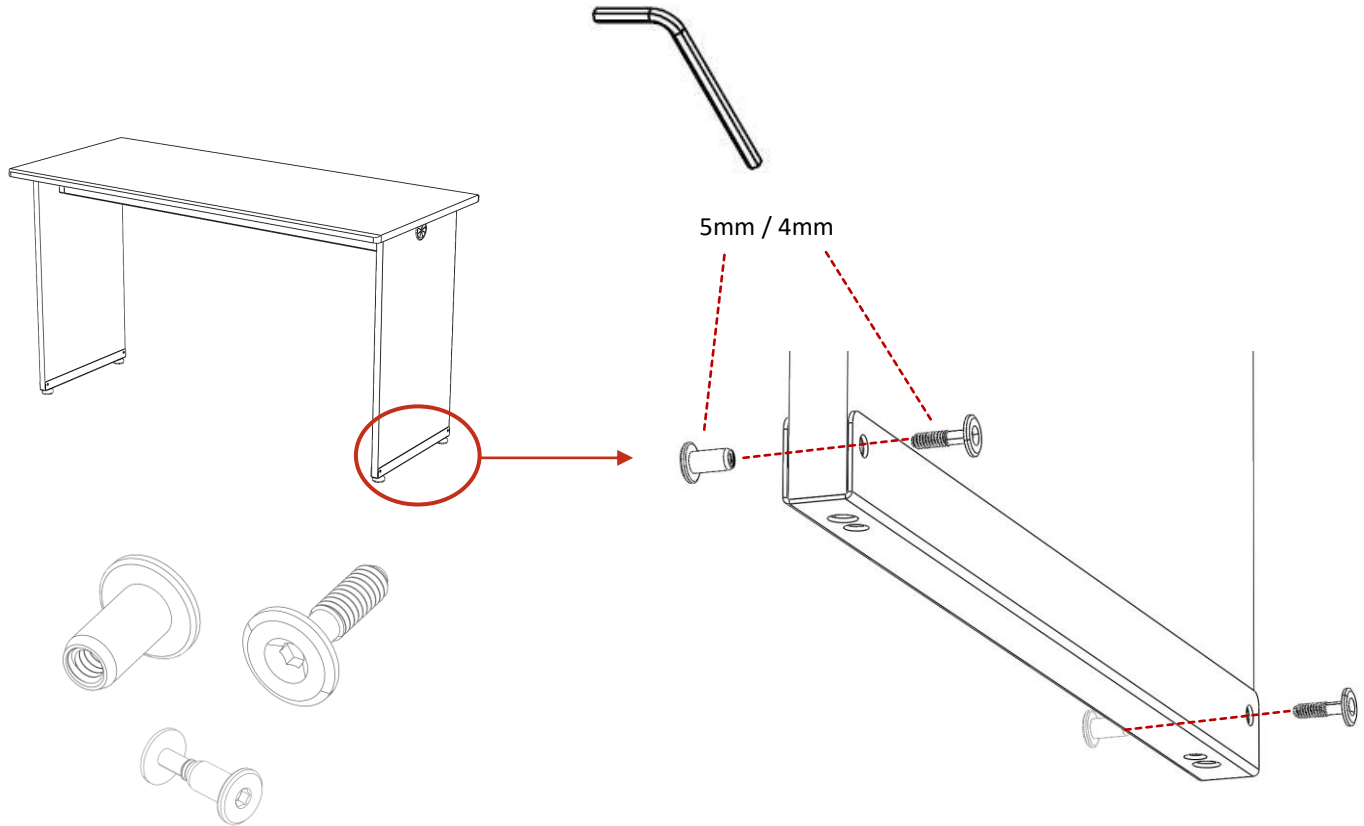
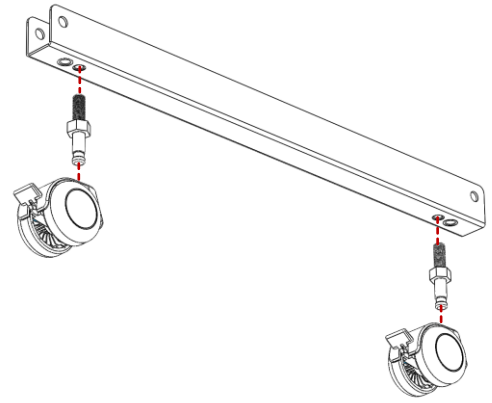
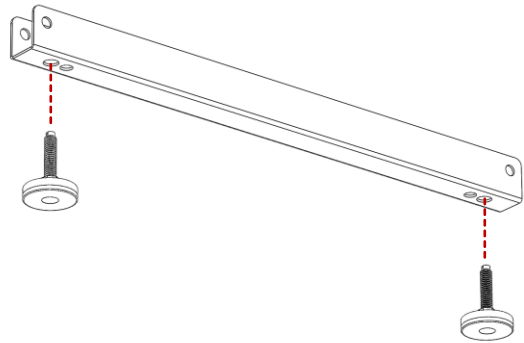


## ModuDesk Modular Table Series

**3**

**STEP 4**

- Depending on chosen base, screw in Levelers or Caster Stems into Extrusion (Casters will pop on with force)
- Fasten the JCN Bolt and Cap together, through the extrusion and panel, securing everything in place.



JCN Bolt + Cap

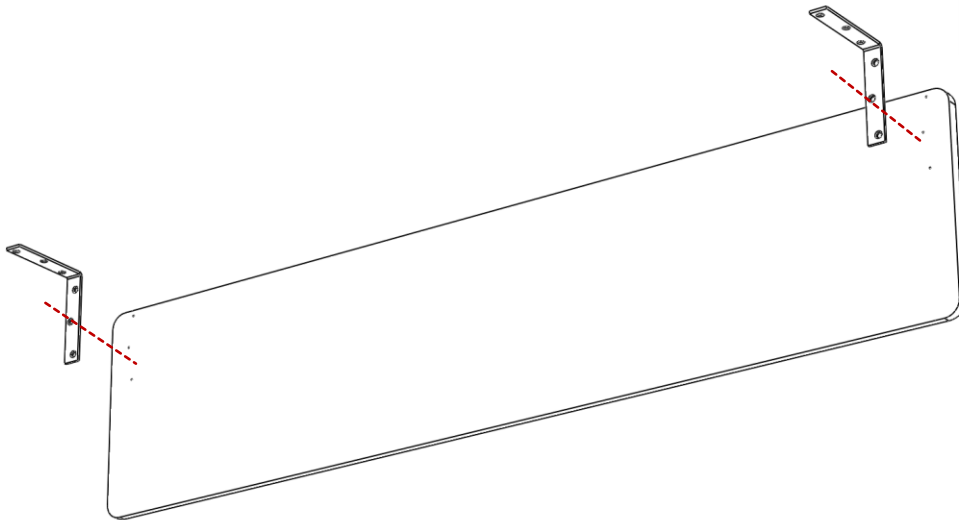
### ModuDesk Modular Table Series

#### **3** STEP 4

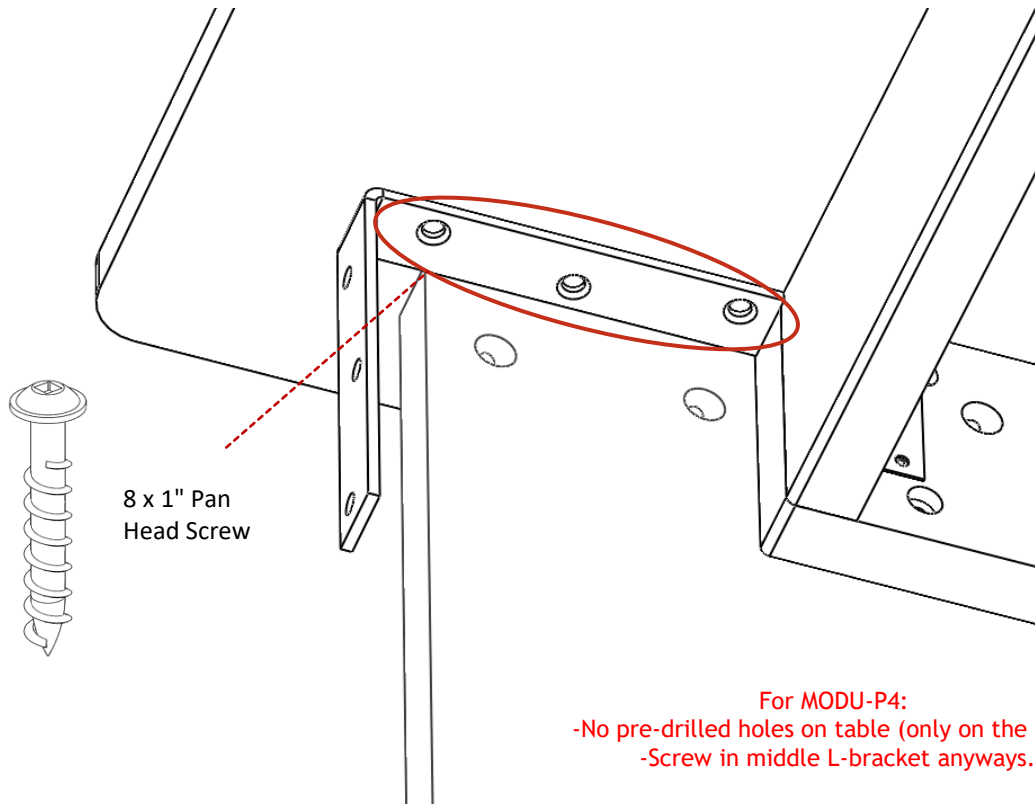
- **IMPORTANT** use 8x.75" Pan Head Screw to mount L-Bracket onto Modesty Panel



8 x .75"  
Pan  
Head  
Screw



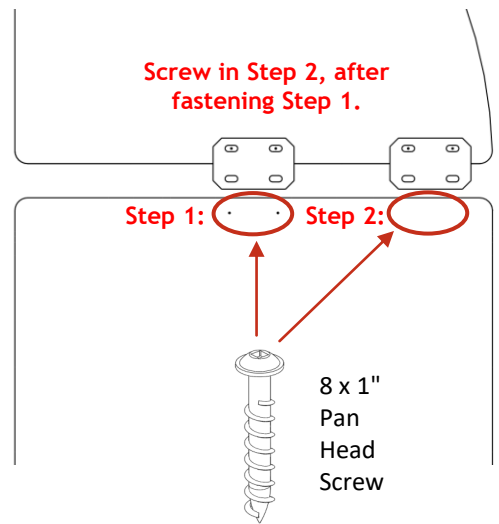
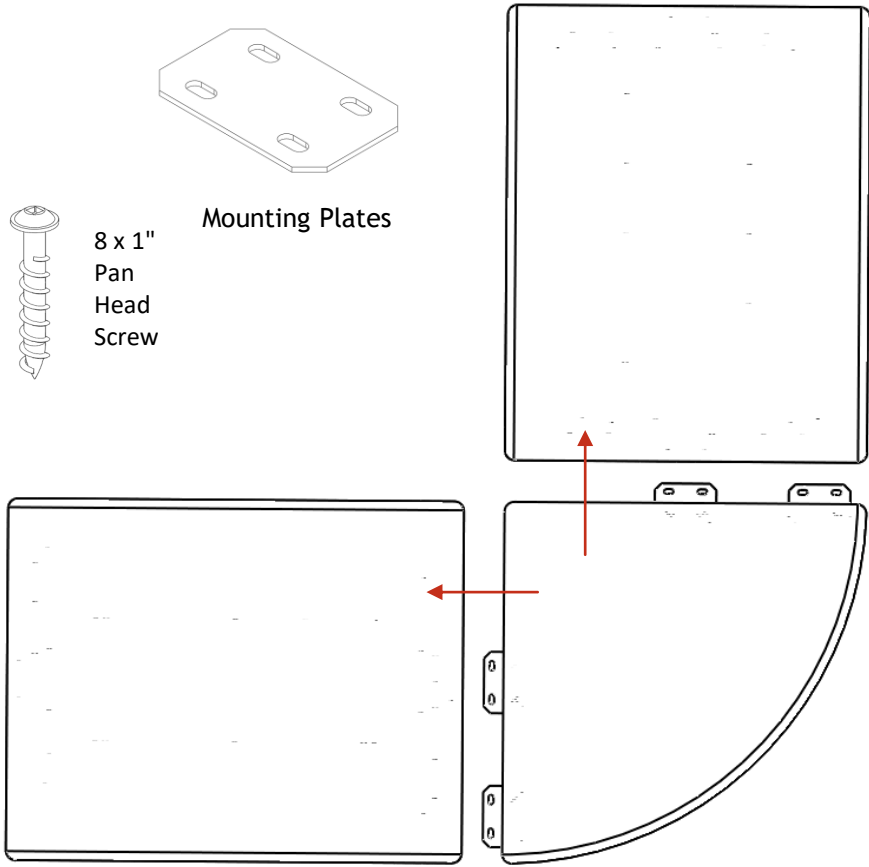
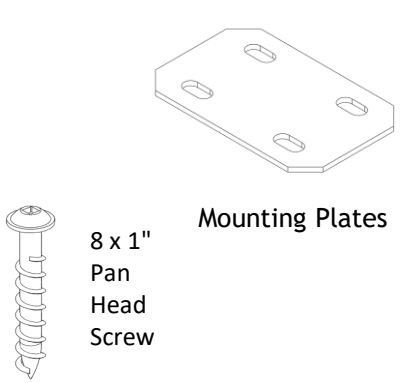
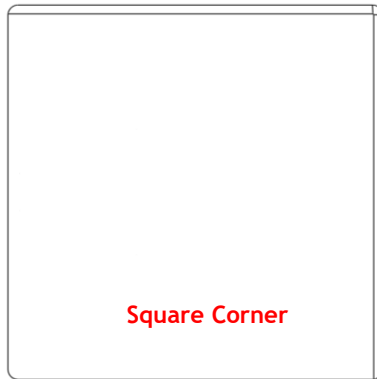
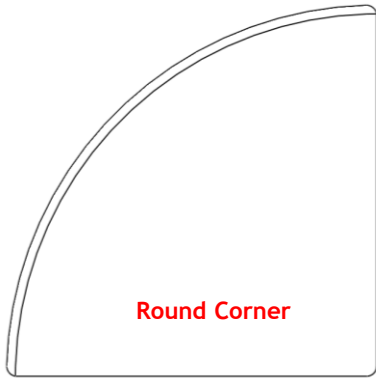
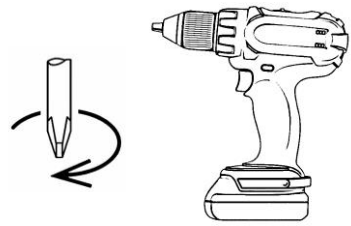
- **IMPORTANT** use 8x1" Pan Head Screw to mount L-Bracket onto Modesty Panel



**For MODU-P4:**  
-No pre-drilled holes on table (only on the panel)  
-Screw in middle L-bracket anyways.

### ModuDesk Modular Table Series

**3** For MOD-RC or MOD-SC



## ModuDesk Modular Table Series

### **3** STEP 4

- Complete!

