

Date \_\_\_\_\_  
 AVFI Sales REP \_\_\_\_\_  
 Customer Signature \_\_\_\_\_

Quote No. \_\_\_\_\_  
 Customer No. \_\_\_\_\_  
 AVFI No. \_\_\_\_\_

Office Use Only

To generate your order form, please refer to the information provided below to insert the alphabetic and/or numeric code in the respective category boxes. Please note that without this filled out Order Form, your purchase **cannot** be processed.

1 Product Model	2 Finish	3 Chargeable Accessories	4 Custom Cutouts
<b>MOD2965-00</b>			



**2 Choose Product Finish**

**Standard Finishes** (Ships within 1-15 business days)

**SST**

**SBT**

**FMT**

**AST**

**HCT**

**CLT**

**AMT**

**CPT**

**EBT**

**SGT**

**CWT**

**3 Chargeable Accessories (Check all that apply)**

Code <b>0</b> No Accessories	Qty:
* Code <b>EF</b> CHGQIB Wireless Charging Station Black	Qty:
Code <b>K1</b> C900S Single Monitor Arm	Qty:
Code <b>K2</b> C900D Dual Monitor Arm	Qty:
* Code <b>P2</b> PCH730 PC Holder (Mini tower only)	Qty:
* Code <b>K3</b> PLM1022 LCD Monitor Mount	Qty:
* Code <b>D3</b> FM3 Countdown Timer and Clock	Qty:
* Code <b>D2</b> LIGHT-18 Adjustable Gooseneck Light	Qty:
* Code <b>E3</b> CUB3 Round Cable Well	Qty:
* Code <b>E5</b> CUB5 Black Round Cable Well	Qty:
* Code <b>E6</b> CUB5 Silver Round Cable Well	Qty:
* Code <b>E8</b> CUB8 Table Top Cable Well	Qty:
* Code <b>EA</b> CUB4S Silver Power Panel	Qty:
* Code <b>EB</b> CUB4B Round Cable Well	Qty:
* Code <b>EJ</b> CUB22 Black 3 Module Panel	Qty:
* Code <b>EK</b> CUBM3 3 Module Power & Data Panel	Qty:
* Code <b>EL</b> CUBM4 4 Module Power & Data Panel	Qty:
* Code <b>M10</b> FWM100 VESA Mounting Bracket	Qty:
Code <b>P10</b> 50CAS Easy Maneuvering Casters	Qty:
Code <b>E1</b> PB 6 Outlet Power Bar	Qty:
Code <b>B1</b> 9031-1 1U Utility Metal Shelf	Qty:
Code <b>B2</b> 9031-2 2U Utility Metal Shelf	Qty:
Code <b>B3</b> 9031-3 3U Utility Metal Shelf	Qty:
Code <b>B4</b> 9041 Sliding Metal Shelf	Qty:

**3 Chargeable Accessories (Check all that apply)**

Code <b>B5</b> 9052-2 2U Sliding Metal Drawer	Qty:
Code <b>B6</b> 9052-3 3U Sliding Metal Drawer	Qty:
Code <b>J1</b> 9107 Lacing Bar	Qty:
Code <b>D4</b> FAN Quiet Cooling Fan	Qty:
Code <b>X9</b> MODU-EXT Door extenders for 23" rack depth	Qty:
Code <b>T0</b> MOD-LS Series Lower Shelf	Qty:
Code	Qty:
Code	Qty:
Code	Qty:
Code	Qty:
Code	Qty:
Code	Qty:
Code	Qty:
Code	Qty:
Code	Qty:
Code	Qty:
Code	Qty:
Code	Qty:
Code	Qty:
Code	Qty:
Code	Qty:
Code	Qty:
Code	Qty:
Code	Qty:
Code	Qty:
Code	Qty:
Code	Qty:

\* **Cutout Required** (Extra Charges will apply)  
 § Only on Flat Cutout

Date \_\_\_\_\_  
 AVFI Sales REP \_\_\_\_\_  
 Customer Signature \_\_\_\_\_

Quote No. \_\_\_\_\_  
 Customer No. \_\_\_\_\_  
 AVFI No. \_\_\_\_\_

OFFICE USE ONLY

Office Use Only

Comments (Please use this section to provide additional information)

---

---

---

---

---

---

---

---

---

---

Notes

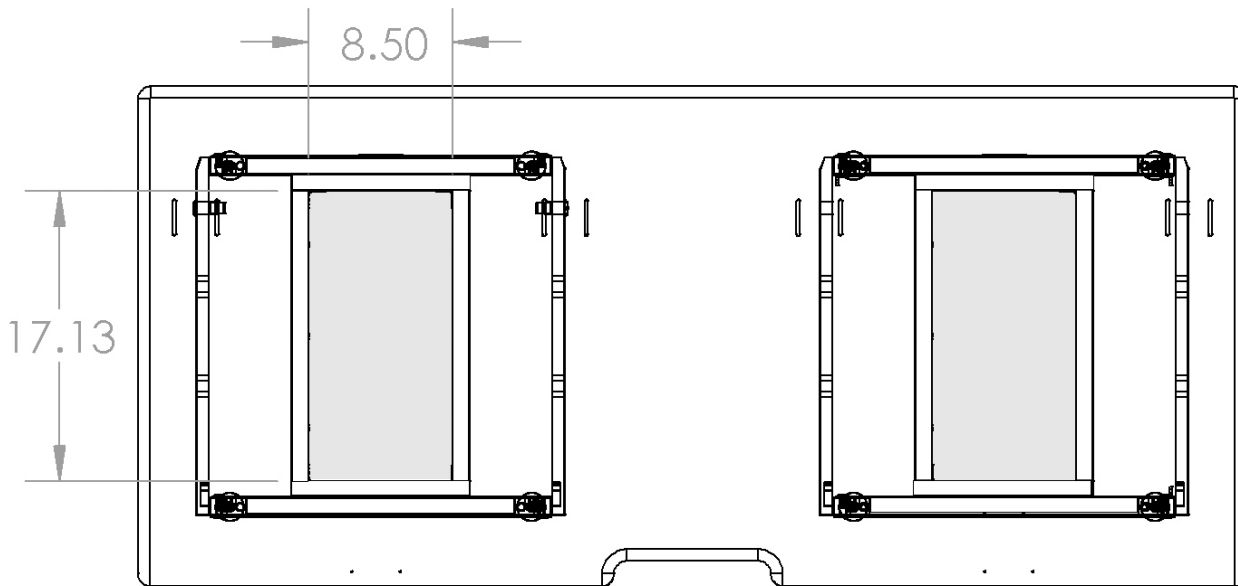
**CAD Drawings/Symbols**  
 CAD drawings are available by request at sales@avfi.com

**Custom Cutouts**  
 Estimated lead time within 20 business days from receipt of P.O. and signed drawings.

**Customizations**  
 Modifications to design such as shape and/or size variations have to be quoted on a per case basis and are applicable for quantities of 10+ only.

Please indicate custom cutout location on the drawing(s) below

4 Custom Cutout Option (Extra charges will apply)



Code **CO** No Custom Cutout  
 Code **CC** Custom Cutout (Specify on Cutout Area Above)  
 ■ Cutout Area - Work Surface