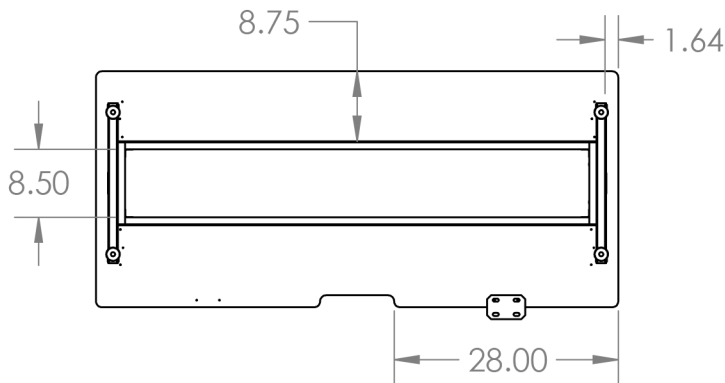
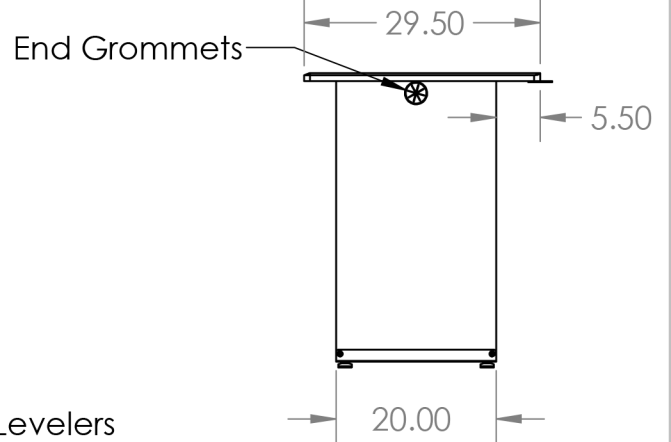
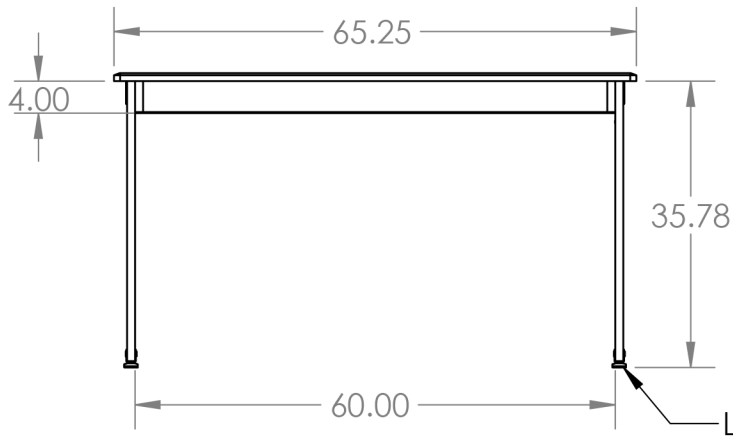


2

1



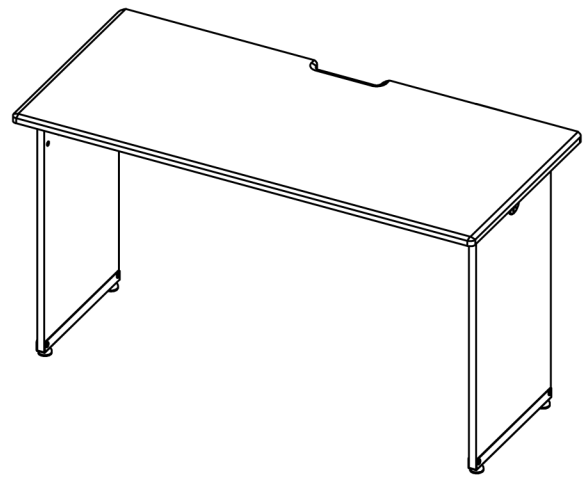
MOD3765-R

The information contained in this drawing is the sole property of Audio Visual Furniture International. Any reproduction in part or as a whole without the written permission of Audio Visual Furniture International is prohibited.

*Specification subject to change without notice.

*AVFI can build or modify stock configurations to suit customer specifications. Please contact us to discuss how this service can help meet your needs. Some quantity restrictions may apply.

*Computers, cameras, monitors, etc. are shown to illustrate product usage and are not included unless otherwise noted.



B

B

A

A

PROPRIETARY AND CONFIDENTIAL
THE INFORMATION CONTAINED IN THIS DRAWING IS THE SOLE PROPERTY OF AVFI. ANY REPRODUCTION IN PART OR AS A WHOLE WITHOUT THE WRITTEN PERMISSION OF AVFI IS PROHIBITED.

| | | | | | |
|-------------|---------|---|--|-----------|--------------|
| | | DIMENSIONS ARE IN INCHES TOLERANCES: FRACTIONAL ANGULAR: MACH BEND TWO PLACE DECIMAL THREE PLACE DECIMAL | | NAME | DATE |
| | | MATERIAL | | DRAWN | PM 3/27/2025 |
| | | FINISH | | CHECKED | |
| NEXT ASSY | USED ON | | | ENG APPR. | |
| APPLICATION | | DO NOT SCALE DRAWING | | MFG APPR. | |
| | | | | Q.A. | |
| | | | | COMMENTS: | |

MOD2965-H

| | | |
|------------|----------|--------------|
| SIZE | DWG. NO. | REV. |
| A | ModuDesk | |
| SCALE:1:24 | WEIGHT: | SHEET 1 OF 1 |

2

1